

Z8504/08NER-4P/8P | Z8000NVR-P series

4/8-Channel H.265+ Network Video Recorder



Features

- H.265+/H.265/H.264+/H.264 Decoding
- Support 4/8CH 5MP Resolution Preview and Playback
- Support HDMI up to 1080P output
- DHCP, FTP, DNS, DDNS, NTP, UPNP, RTSP etc.
- ONVIF Profile S Compatible
- Cloud Service, P2P
- Mobile phone remote monitoring (iOS, Android)
- Multi-browser access (IE, Chrome, Firefox, Safari)



System Overview

ZKTeco Z8000NER-P series could deliver up to 5MP resolution excellent image over advanced H.265+ decoding. It's the ideal consideration for the balance of quality, performance and budget.

The friendly GUI provides intuitive shortcut operations, remote control and management, flexible storage and playback. It's widely used for the government, banking sectors, manufacturers, educational or commercial projects.

Powered by the strong interoperability and Onvif Profile S, it's compatible with plenty of 3rd party IPC or crossing platform VMS.

Functions

Up to 1080P Resolution Preview or Playback

IVA (Intelligent Video Analysis) supported, it allows detecting multiple object behaviors, like target counting, tripwire, intrusion, objects left/missing.

HDD Quota

Flexibly assign the specified channels to be recorded in the appointed HDD.

AntarView Pro

Flexibly and remotely monitoring at anytime or anywhere with AntarView Pro APP.

Technical Parameters

| | | |
|-------|-------------|-------------|
| Model | Z8504NER-4P | Z8508NER-8P |
|-------|-------------|-------------|

System

| | |
|------------------|-------------------------------|
| Processor | Multi-core Embedded Processor |
| Operation System | Embedded Linux |

I/A Alarm

| | |
|---------------------|--|
| Local I/A Functions | Target Counting, Object Detection, Intrusion, Tripwire |
| Regular Detection | Motion Detection/Video Tampering/Video Loss |

I/O Port and Storage

| | | |
|-------------------|---|---|
| Network Interface | 1 RJ-45 port(10/100Mbps) | |
| USB | 2*USB 2.0 | |
| HDMI | 1*1080P HDMI | |
| VGA | 1*VGA | |
| Alarm Input | N/A | |
| Alarm Output | N/A | |
| HDD | 1 SATA, up to 8TB capacity for each HDD | |
| RAID | N/A | |
| PoE Ports | 4 | 8 |

Playback and Backup

| | |
|-------------------|--|
| Playback Channel | 4 |
| Search Mode | I/A Search/Time/Motion Detection |
| Playback Function | Play, Stop, Play forward, Play backward, 30 seconds forward, 30 seconds backward, Fast play, Slow play, Single frame play, Hide/Show the time bar, Backup, Snapshot, Full screen |
| Backup Mode | USB device/Network |

Video/Audio

| | | |
|-------------------|--------|---|
| Max. IPC Input | 4 | 8 |
| Audio Compression | G.711a | |
| Two-way Talk | N/A | |

Recording

| | |
|----------------------|--|
| Video Compression | H.265+/H.265/H.264+/H.264 |
| Recording Resolution | 5MP/3MP/1080P/960P/720P |
| Incoming Bandwidth | 40Mbps |
| Bitrate | 16K~8Mbps |
| Record Mode | Manual/External Alarm/Motion/Scheduled/I/A Alarm |

Network

| | |
|------------------|--|
| Network Protocol | TCP/IP, HTTP, DDNS, SMTP(SSL), DHCP, PPPoE, UPnP, NTP, P2P |
| Max. Online User | 5 |
| Mobile App | AntarView Pro |
| Interoperability | Onvif Profile S, SDK |

Power

| | | |
|--------------|-------------------|------------|
| Power supply | DC 48V1.5A | DC 48V2.5A |
| Consumption | ≤15W(Without HDD) | |

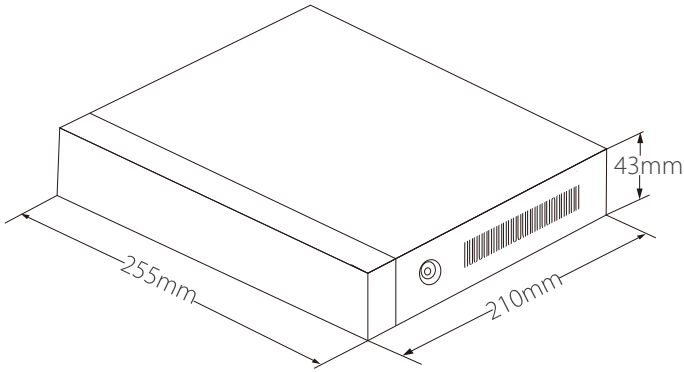
General

| | |
|---------------------|------------------|
| Working Temperature | -10°C ~+55°C |
| Working Humidity | 10~90% |
| Dimensions | 255mm*210mm*43mm |
| Net Weight | 2.5KG |
| Gross Weight | 3KG |

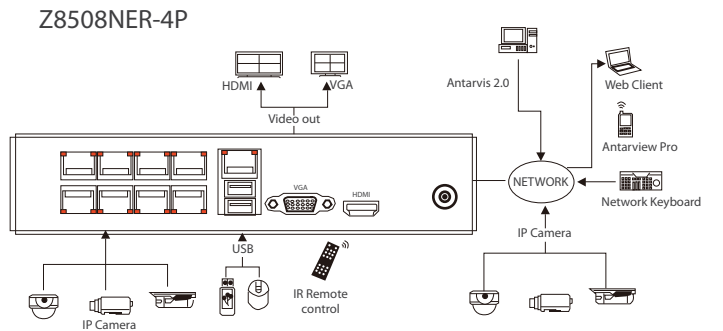
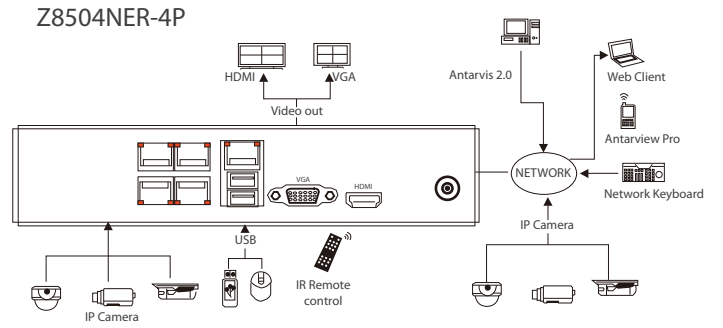
Ordering Information

| Type | Part Number | Description |
|---------|-------------|--------------------------|
| PoE NVR | Z8504NER-4P | 4 channel 1 SATA PoE NVR |
| | Z8508NER-8P | 8 channel 1 SATA PoE NVR |

Dimensions (mm)



Rear Panel



More details